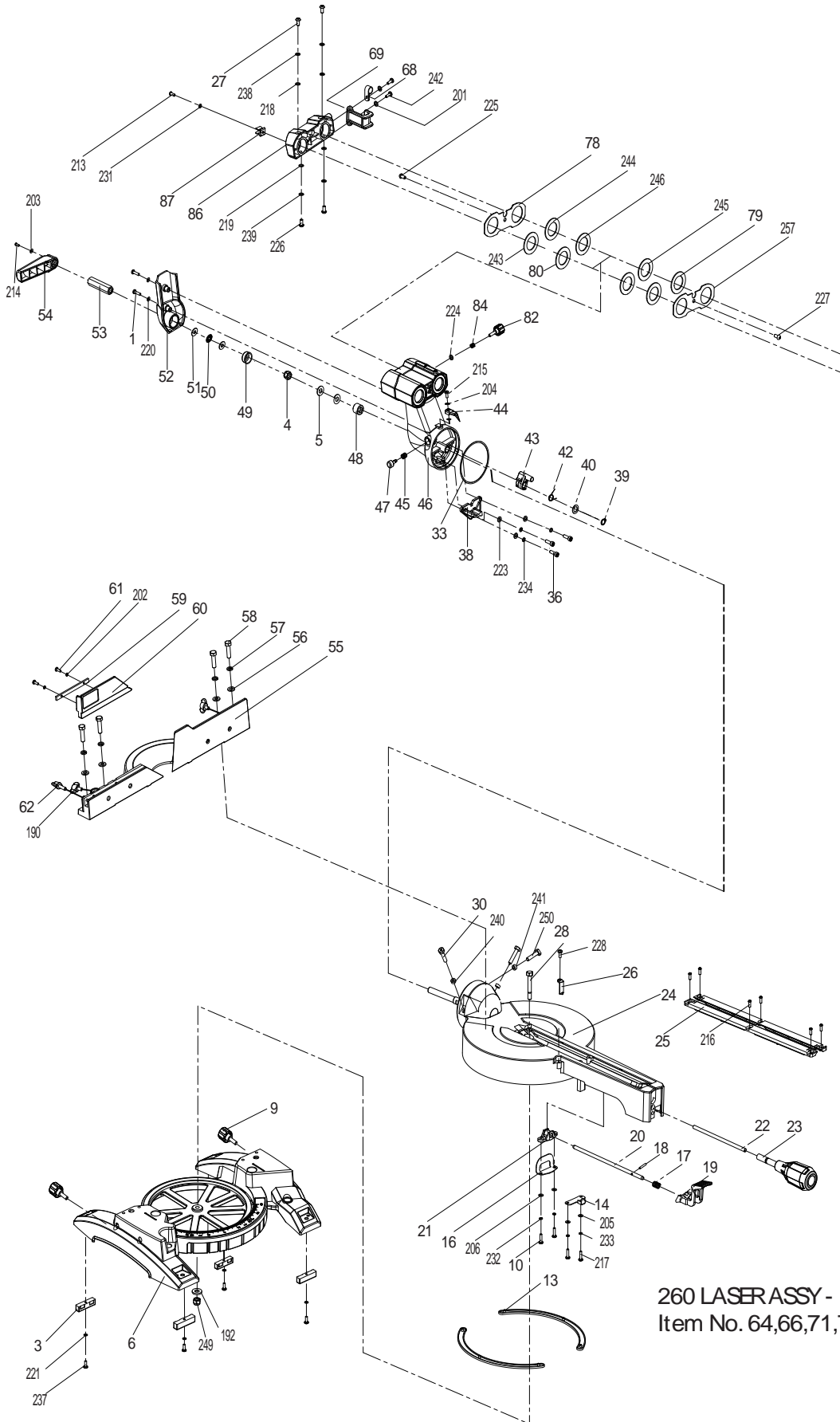




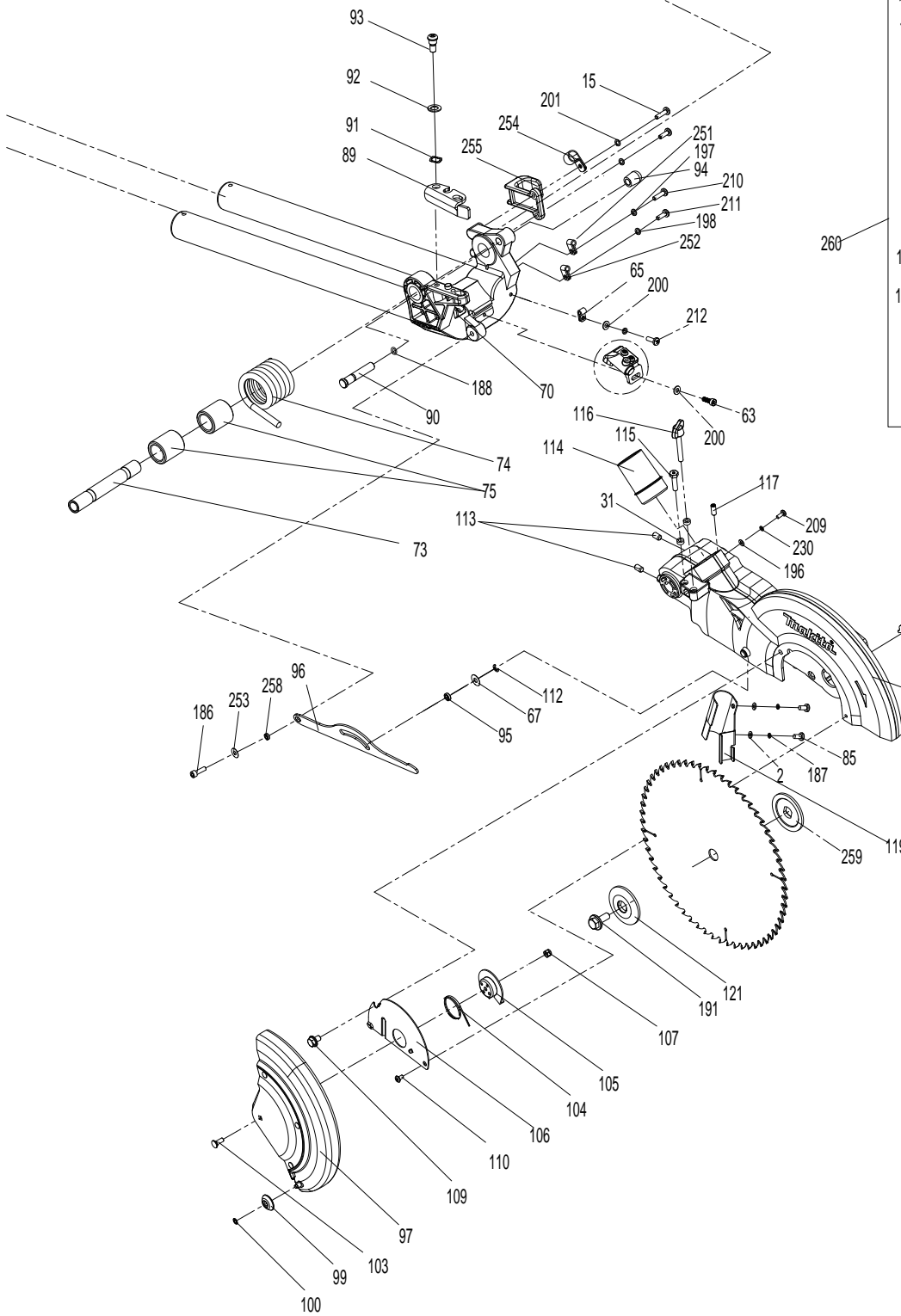
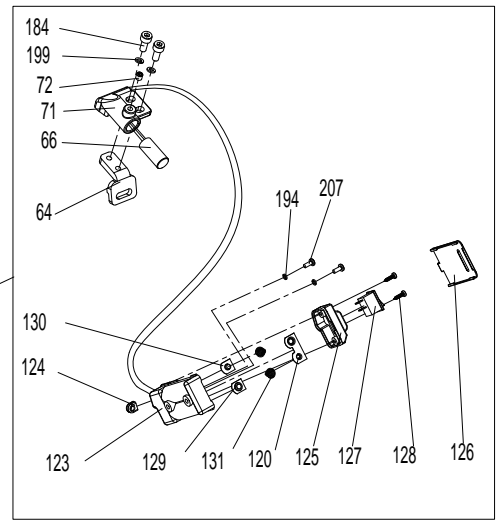
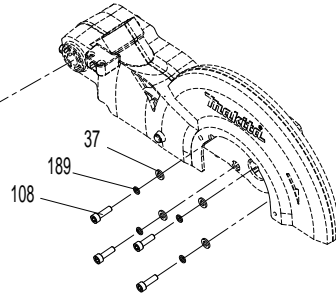
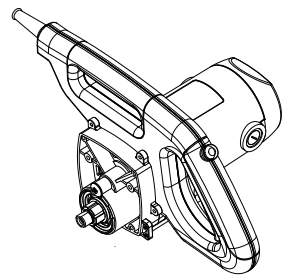
08 - 2013

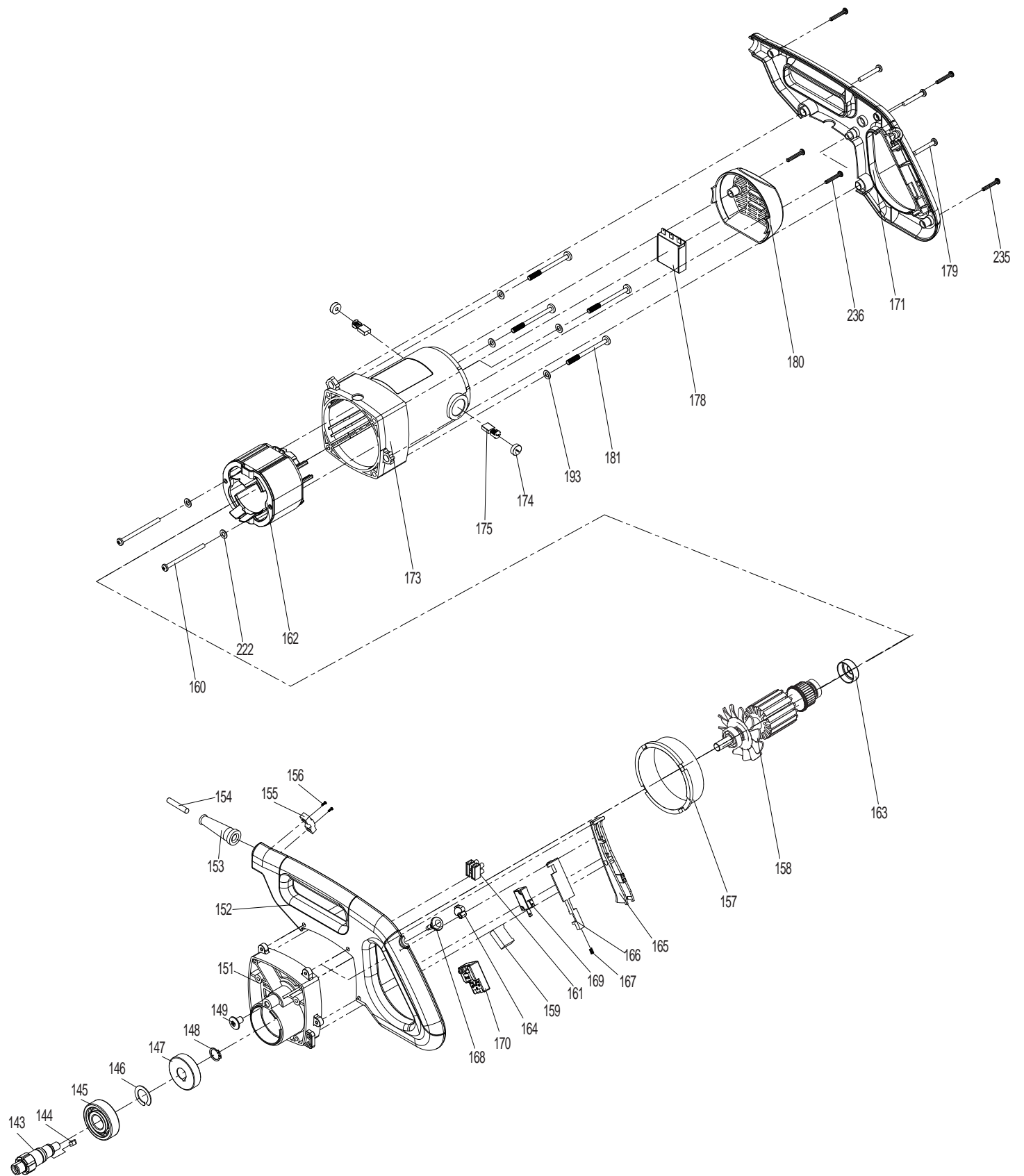
LS1017L

10" SLIDING MITRE SAW W/ LASER



260 LASER ASSY -
Item No. 64,66,71,72,120,123-131,184,194,199,207





Item No	Type	Ref	Part No	Description	Qty	Unit
001			JM23100006	CROSS HEAD SCREW M5X20	2	PC.
002			JM23100007	FLAT WASHER 5	2	PC.
003			JM23100008	PAD	4	PC.
004			JM23100009	LOCKNUT M10	1	PC.
005			JM23100010	FLAT WASHER 10	2	PC.
006			JM23100300	BASE COMPLETE	1	PC.
		INC.	JM2708A060	CAUTION LABEL	2	PC.
		INC.	JM23100012	MITER SCALE LABEL	1	PC.
009			JM23100013	KNOB FOR EXT.WING	2	PC.
010			JM23100014	CROSS HEAD SCREW M4X15	2	PC.
013			JM23100017	FRICTION PLATE	2	PC.
014			JM23100018	LOCK PLATE A	1	PC.
015			JM23100019	CROSS HEAD SCREW M4X18	2	PC.
016			JM23100020	LOCK PLATE B	1	PC.
017			JM23100021	LOCK SPRING	1	PC.
018			JM23100022	LOCK PIN	1	PC.
019			JM23100023	PRESS PLATE	1	PC.
020			JM23100024	LOCK SHAFT B	1	PC.
021			JM23100025	WORKING TABLE LOCKING BRACKET	1	PC.
022			JM23100026	LOCK SHAFT A	1	PC.
023			JM23100027	MITER LOCKING HANDLE	1	PC.
024			JM23100312	WORKING TABLE COMPLETE	1	PC.
		INC.	JM23180067	CAUTION LABEL	1	PC.
		INC.	JM23100036	BEVEL SCALE	1	PC.
		INC.	JM23100038	ELASTIC PIN 4X20	1	PC.
		INC.	JM23100039	LOCKING ROD	1	PC.
		INC.	JM23100009	LOCKNUT M10	1	PC.
025			JM23100029	TABLE INSERT	2	PC.
026			JM23100030	MITER POINTER	1	PC.
027			JM23100031	CROSS HEAD SCREW M5X15	2	PC.
028			JM23100032	PIVOT SHAFT	1	PC.
030			JM23100034	HEX BOLT M6X28	1	PC.
031			JM23100035	ANTI-LOOSEN RING	2	PC.
033			JM23100037	FRICTION RING	1	PC.
036			JM23100040	H.S.BOLT M6X20	3	PC.
037			JM23100041	FLAT WASHER	4	PC.
038			JM23100042	45DEGREE LIMIT BRACKET	1	PC.
039			JM23100043	RETAINING RING 10	1	PC.
040			JM23100044	FLAT WASHER 12X20X1	1	PC.
041			JM23100045	ANGLE LIMIT SHAFT	1	PC.
042			JM23100046	90DEGREE BLOCK SPRING	1	PC.
043			JM23100047	90DEGREE BLOCK	1	PC.
044			JM23100048	BEVEL POINTER	1	PC.
045			JM23100049	MITER PRESSION SPRING	1	PC.
046			JM23100330	SUPPORT ARM COMPLETE	1	PC.
		INC.		Item No. 79-80,243-246		
		INC.	JM23100081	BUFFER	1	PC.
		INC.	JM23100085	LINEAR BEARING	3	PC.
		INC.	JM23100087	LOCK SCREW M6X8	2	PC.
		INC.	JM23100081	BUFFER	1	PC.
047			JM23100051	LIMITED KNOB	1	PC.

Item No	Type	Ref	Part No	Description	Qty	Unit
048			JM23100052	CLAMP PLATE	1	PC.
049			JM23100053	BOWL TYPE PLATE	1	PC.
050			JM23100054	SURFACE BEARING	1	PC.
051			JM23100055	BIG FLAT WASHER 10X26X2.5	2	PC.
052			JM23100056	SLIDING BRACKET COVER	1	PC.
053			JM23100057	HEX NUT	1	PC.
054			JM23100058	BEVEL LOCKING HANDLE	1	PC.
055			JM23100059	RIP FENCE	1	PC.
056			JM23100060	FLAT WASHER 8	4	PC.
057			JM23100061	SPRING WASHER 8	4	PC.
058			JM23100062	HEX BOLT M8X30	4	PC.
059			JM23100063	KEY	1	PC.
060			JM23100323	SUB FENCE COMPLETE	1	PC.
		INC.	JM23180065	CAUTION LABEL	1	PC.
061			JM23100065	CROSS HEAD SCREW M4X8	2	PC.
062			JM23100066	WING KNOB M6X20	1	PC.
063			JM23100067	H.S.BOLT M4X12	1	PC.
064			JM23100068	LASER MOVING FIX PLATE	1	PC.
065			JM23100069	LASER CORD CLAMP	1	PC.
066			JM23100070	LASER	1	PC.
067			JM23100071	THIN FLAT WASHER 6	1	PC.
068	2		JM23100194	CORD CLAMP	1	PC.
069			JM23100073	CORD WRAP BRACKET	1	PC.
070	2		JM23100343	UP BLADE GUARD BRACKETCOMPLETE	1	PC.
		INC.		Item No. 76		
		INC.	JM23100145	ELASTIC PIN 5X30	2	PC.
071			JM23100075	LASER BASE	1	PC.
072			JM23100076	H.S.SCREW M4X10	1	PC.
073			JM23100077	CONNECTION SHAFT	1	PC.
074			JM23100078	TORSION SPRING	1	PC.
075			JM23100079	LOCATION TUBE	2	PC.
076			JM23100080	manually)	2	PC.
078			JM23100082	BEARING BAFFLE	1	PC.
079			JM23100083	LIMITED BRACKET	2	PC.
080			JM23100084	DUSTPROOF RING	1	PC.
082			JM23100086	SLIDING BAR LOCKING KNOB	1	PC.
084			JM23100088	PRESSURE SPRING	1	PC.
085			JM23100089	CROSS HEAD SCREW M5X12	2	PC.
086			JM23100090	SLIDING BAR REAR COVER	1	PC.
087			JM23100091	WRENCH CLIP	1	PC.
089			JM23100092	CUTTING DEPTH ADJUSTABLE PLATE	1	PC.
090	2		JM23100193	PIN C	1	PC.
091			JM23100094	WAVE SPRING WASHER	1	PC.
092			JM23100095	FLAT WASHER 8X14X1	1	PC.
093			JM23100096	DEPTH ADJUSTABLE PLATE BOLT	1	PC.
094			JM23100097	PIN CAP	1	PC.
095			JM23100098	LINK SLEEVE	1	PC.
096			JM23100099	LINK	1	PC.
097	2		JM23210008	LOWER BLADE GUARD COMPLETE	1	PC.
099			JM23100102	GUARD WHEEL	1	PC.
100			JM23100103	WHEEL LOCK RING	1	PC.

Item No	Type	Ref	Part No	Description	Qty	Unit
103			JM23100106	SQUARE NECK BOLT M6X12	1	PC.
104			JM23100107	GUARD SPRING	1	PC.
105			JM23100108	BOWL PLATE	1	PC.
106			JM23100109	GUARD FIX PLATE	1	PC.
107			JM23100110	LOCKNUT M6	1	PC.
108			JM23100111	H.S.BOLT M6X45	4	PC.
109			JM23100112	HEX BOLT FOR GUARD	1	PC.
110			JM23100113	CROSSHEAD SCREW FOR GUARD	1	PC.
112			JM23100115	RETAINING RING 5	1	PC.
113			JM23100116	LOCK SCREW M6X12	2	PC.
114			JM23100117	DUST PORT	1	PC.
115			JM23100118	HEX BOLT M6X25	1	PC.
116			JM23100119	LIMITED KNOB	1	PC.
117			JM23100120	H.S.SCREW M6X15	1	PC.
118	2		JM23100368	UP BLADE GUARD COMPLETE	1	PC.
		INC.	JM23180063	CAUTION LABEL	1	PC.
		INC.	JM23180064	CAUTION LABEL	1	PC.
		INC.	JM23100114	LINK PIN	1	PC.
		INC.	JM23100147	BUFFER	1	PC.
119			JM23100122	DUST GUIDE PLATE	1	PC.
120			JM23100123	COPPER CONNECTION PLATE	1	PC.
121			JM23100124	BLADE FLANGE	1	PC.
123			JM23100125	BATTERY BOX	1	PC.
124			JM23100126	LASER CORD TUBE	1	PC.
125			JM23100127	LASER SWITCH COVER	1	PC.
126			JM23100128	BATTERY BOX COVER	1	PC.
127			JM23100129	LASER SWITCH	1	PC.
128			JM23100130	SELF-TAPPING SCREW 2.9X12	2	PC.
129			JM23100131	ANODE COPPER SHEET	1	PC.
130			JM23100132	CATHODE COPPER SHEET	1	PC.
131			JM23100133	BATTERY BOX SPRING	2	PC.
132			JM23100134	LOCK PLATE	1	PC.
133			JM23100135	LOCK SPRING	1	PC.
134			JM23100136	LOCK COVER PLATE	1	PC.
135			JM23100137	INSERT	1	PC.
136			JM23100138	LOCK COVER	1	PC.
143			JM23100155	OUTPUT SHAFT	1	PC.
144			JM23100156	KEY 5X10	1	PC.
145			JM23100157	BEARING 6304	1	PC.
146			JM23100158	RETAINING RING 20	1	PC.
147			JM23100159	GEAR	1	PC.
148			JM23100160	RETAINING RING 16	1	PC.
149			JM23100161	OUTPUT SHAFT SCREW M8X12	1	PC.
151			JM23100380	GEAR BOX COMPLETE	1	PC.
		INC.	JM23100162	BUSH	1	PC.
152			JM23100164	HANDLE LEFT SIDE	1	PC.
153	2		JM23100195	PROTECTION TUBE	1	PC.
154			JM23000163	CORD W/PLUG 2P-14-2.8M	1	PC.
155			JM23100166	CORD CLAMP	1	PC.
156			JM23100167	SELF TAPPING SCREW M4X16	2	PC.
157			JM23100168	BAFFLE RING	1	PC.

Item No	Type	Ref	Part No	Description	Qty	Unit
158			JM23000167	ARMATURE ASS'Y. (120V)	1	PC.
159			JM23100169	CAPACITOR	1	PC.
160			JM23100170	SELF-TAPPING SCREW M5X70	2	PC.
161			JM23100171	TERMINAL POLE	1	PC.
162			JM23100003	STATOR ASSEMBLY	1	PC.
163			JM23100172	ABSORBER RING	1	PC.
164			JM23100173	SWITCH LOCK BRACKET	1	PC.
165			JM23100174	SWITCH HANDLE	1	PC.
166			JM23100175	SWITCH LOCK PLATE	1	PC.
167			JM23100176	SWITCH HANDLE SPRING	1	PC.
168			JM23100177	BRAKE SYSTEM SWITCH KEY	1	PC.
169			JM23100178	BRAKE SYSTEM SWITCH	1	PC.
170			JM23100179	ELECTRIC SWITCH	1	PC.
171			JM23100180	HANDLE RIGHT	1	PC.
173			JM23100373	MOTOR HOUSE COMPLETE	1	PC.
		INC.	JM23180021	NAME PLATE	1	PC.
		INC.	JM23180062	CAUTION LABEL	1	PC.
		INC.	JM23180061	CAUTION LABEL	1	PC.
		INC.	JM23100184	CARBON BRUSH HOUSE	2	PC.
		INC.	JM23100185	H.S.SCREW M5X8	2	PC.
174			JM23100182	BRUSH CAP	2	PC.
175	2		JM23000123	CARBON BRUSH 2PC/SET	1	SET
178	2		JM23100192	SOFT STARTER, 110 - 127V	1	PC.
179			JM23100187	CROSS HEAD SCREW M5X35	3	PC.
180			JM23100188	MOTOR REAR COVER	1	PC.
181			JM23100189	CROSS HEAD SCREW M6X70	4	PC.
184			JM23100146	H.S.BOLT M4X10	2	PC.
186			JM23100148	H.S.BOLT M6X20 WITH GLUE	1	PC.
187			JM23100149	SPRING WASHER 5	2	PC.
188			JM23100150	SEALING RING	1	PC.
189			JM23100151	SPRING WASHER 6	4	PC.
190			JM23100152	WING KNOB,M6X10	1	PC.
191			JM23100153	BLADE BOLT	1	PC.
192			JM23100154	BIG FLAT WASHER 10	1	PC.
193			JM23100190	SPECIAL WASHER 6	4	PC.
194			JM23100016	FLAT WASHER 4	2	PC.
195			JM23100016	FLAT WASHER 4	2	PC.
196			JM23100016	FLAT WASHER 4	1	PC.
197			JM23100016	FLAT WASHER 4	1	PC.
198			JM23100016	FLAT WASHER 4	1	PC.
199			JM23100016	FLAT WASHER 4	2	PC.
200			JM23100016	FLAT WASHER 4	2	PC.
201			JM23100016	FLAT WASHER 4	1	PC.
202			JM23100016	FLAT WASHER 4	2	PC.
203			JM23100016	FLAT WASHER 4	1	PC.
204			JM23100016	FLAT WASHER 4	1	PC.
205			JM23100016	FLAT WASHER 4	2	PC.
206			JM23100016	FLAT WASHER 4	2	PC.
207			JM23100033	CROSS HEAD SCREW M4X12	2	PC.
208			JM23100033	CROSS HEAD SCREW M4X12	2	PC.
209			JM23100033	CROSS HEAD SCREW M4X12	1	PC.

Item No	Type	Ref	Part No	Description	Qty	Unit
210			JM23100033	CROSS HEAD SCREW M4X12	1	PC.
211			JM23100033	CROSS HEAD SCREW M4X12	1	PC.
212			JM23100033	CROSS HEAD SCREW M4X12	1	PC.
213			JM23100033	CROSS HEAD SCREW M4X12	1	PC.
214			JM23100033	CROSS HEAD SCREW M4X12	1	PC.
215			JM23100033	CROSS HEAD SCREW M4X12	1	PC.
216			JM23100033	CROSS HEAD SCREW M4X12	6	PC.
217			JM23100033	CROSS HEAD SCREW M4X12	2	PC.
218			JM23100007	FLAT WASHER 5	2	PC.
219			JM23100007	FLAT WASHER 5	2	PC.
220			JM23100007	FLAT WASHER 5	2	PC.
221			JM23100007	FLAT WASHER 5	4	PC.
222			JM23100007	FLAT WASHER 5	2	PC.
223			JM23100041	FLAT WASHER	3	PC.
224			JM23100041	FLAT WASHER	1	PC.
225			JM23100089	CROSS HEAD SCREW M5X12	1	PC.
226			JM23100089	CROSS HEAD SCREW M5X12	2	PC.
227			JM23100089	CROSS HEAD SCREW M5X12	1	PC.
228			JM23100089	CROSS HEAD SCREW M5X12	1	PC.
229			JM23100015	SPRING WASHER 4	2	PC.
230			JM23100015	SPRING WASHER 4	1	PC.
231			JM23100015	SPRING WASHER 4	1	PC.
232			JM23100015	SPRING WASHER 4	2	PC.
233			JM23100015	SPRING WASHER 4	2	PC.
234			JM23100151	SPRING WASHER 6	3	PC.
235			JM23100167	SELF TAPPING SCREW M4X16	3	PC.
236			JM23100167	SELF TAPPING SCREW M4X16	2	PC.
237			JM23100006	CROSS HEAD SCREW M5X20	4	PC.
238			JM23100149	SPRING WASHER 5	2	PC.
239			JM23100149	SPRING WASHER 5	2	PC.
240			JM23100035	ANTI-LOOSEN RING	1	PC.
241			JM23100035	ANTI-LOOSEN RING	2	PC.
242			JM23100019	CROSS HEAD SCREW M4X18	2	PC.
243			JM23100083	LIMITED BRACKET	1	PC.
244			JM23100083	LIMITED BRACKET	1	PC.
245			JM23100084	DUSTPROOF RING	2	PC.
246			JM23100084	DUSTPROOF RING	1	PC.
249			JM23100009	LOCKNUT M10	1	PC.
250			JM23100034	HEX BOLT M6X28	2	PC.
251			JM23100069	LASER CORD CLAMP	1	PC.
252			JM23100069	LASER CORD CLAMP	1	PC.
253			JM23100071	THIN FLAT WASHER 6	1	PC.
254	2		JM23100194	CORD CLAMP	1	PC.
255			JM23100073	CORD WRAP BRACKET	1	PC.
257			JM23100082	BEARING BAFFLE	1	PC.
258			JM23100098	LINK SLEEVE	1	PC.
259			JM23100124	BLADE FLANGE	1	PC.
260			JM23100390	LASER ASSEMBLY	1	PC.
		INC.		Item No. 64,66,71,72,120,123-131, 184,194,199,207	1	PC.
C01	2		JM2318A035	CARTON F/LS1017L	1	PC.

Item No	Type	Ref	Part No	Description	Qty	Unit
ACCESSORIES						
A02	2		JM23100197	BOX WRENCH 13-3	1	PC.
	2	INC.		HEX WRENCH 3 (N/A as individually)	1	PC.
A03			JM23000176	10" C.T SAW BLADE, 40T	1	PC.
A04			JM27000328	TRIANGLE PLATE	1	PC.
A05			JM23100501	DUST BAG ASSEMBLY, FASTENER TYPE	1	PC.
		INC.	-----	FASTENER (N/A as individually)	1	PC.
A06			JM23100502	VERTICAL VISE ASSEMBLY	1	PC.
A07			122930-6	HORIZONTAL VICE ASSY	1	PC.
		INC.	316952-8	VICE PLATE (N/A as individually)	1	PC.
		INC.	322209-7	VICE NUT	1	PC.
		INC.	344099-8	GARD PLATE	1	PC.
		INC.	911317-5	PAN HEAD SCREW M6X14	1	PC.
		INC.	253744-3	FLAT WASHER 12	1	PC.
		INC.	286236-7	CAP 16	2	PC.
		INC.	271297-0	KNOB 45	1	PC.
		INC.	045002-9	THREE BOND 1401(0.1G) (N/A as individually)	1	PC.
		INC.	140554-6	VICE ARM COM. (N/A as individually)	1	PC.
		INC.	253047-5	FLAT WASHER 6	1	PC.
A08	1		194943-7	SLIDE MITRE SAW STAND C (Partsbreakdown available)	1	PC.
	2		198687-1	SLIDE MITRE SAW STAND C WST01	1	PC.
A09			192671-8	HOLDER ASSY	1	PC.
		INC.	251887-5	SCREW M6X10	2	PC.
		INC.	316951-0	HOLDER (N/A as individual part)	1	PC.
		INC.	265889-5	ADJUST BOLT	2	PC.
A10			192621-3	HOLDER SET	1	PC.
		INC.	265708-5	SCREW M6X10	2	PC.
		INC.	322312-4	HOLDER	2	PC.
A11			192118-2	HOLDER SET	1	PC.
		INC.	251887-5	SCREW M6X10	1	PC.
		INC.	251896-4	SCREW M5X20	2	PC.
		INC.	322312-4	HOLDER	2	PC.
A11		INC.	345709-0	SET PLATE	1	PC.
A12			256812-1	Stock)	2	PC.
A13	1		194061-1	BENCHTOP MITER SAW STAND B (Parts Breakdown Available)	1	PC.
	2		198688-9	BENCHTOP MITER SAW STAND B	1	PC.
A14			WST06	MITRE SAW STAND SET (See Parts Breakdown WST06)	1	PC.
			WST05	MITRE SAW STAND SET (See Parts Breakdown WST05)	1	PC.
			JM23610051	BRACKET SET F/WST06	1	PC.
A15			192713-8	HOLDER ASSY	1	PC.